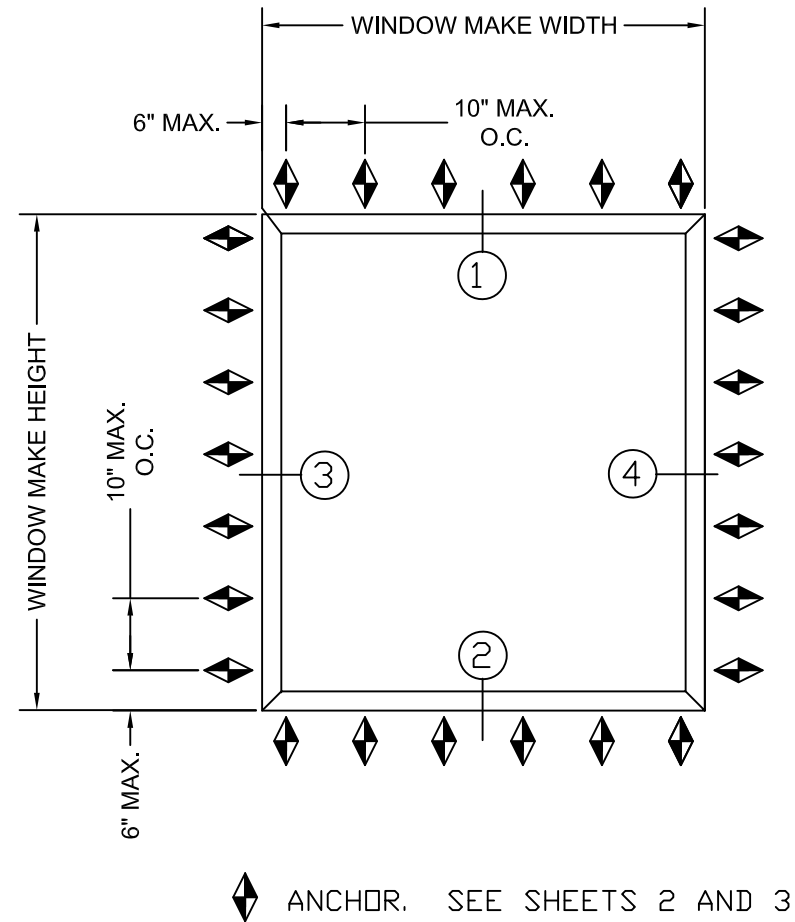


# K200 FIXED WINDOW



Maximum Size and Design Pressure				
FW	FH	DLO-W	DLO-H	Pressure
64"	71"	58"	68-3/4"	± 50 PSF

Minimum Glazing  
 1" Insulating Glass  
 EXT - 1/4" Annealed Glass  
 INT - 1/4" Annealed Glass

## NOTES:

1. Installations depicted satisfy the requirements of the Florida Building Code, Building 8<sup>th</sup>; Edition (2023) for design wind pressures and overall sizes noted.
2. Wood bucks, wood framing, steel stud framing, concrete and concrete masonry are by others and shall be designed by the architect or engineer of record to resist the loads imparted to them.
3. Wood bucks and wood framing are assumed S-P-F (G=0.55) or denser. Buck width shall be greater than the window frame width. Tapered or partial width buck strips are not allowed.
4. Metal stud frames are assumed to be a minimum 18 gauge 33 KSI steel.
5. Concrete masonry (CMU) shall conform to ASTM C90
6. Concrete shall be minimum  $f'c = 3,000$  psi
7. Wood screws shall meet requirements of ANSI/ASME B18.6.1.
8. TEKS screws shall be ASTM A510 Grade 1018 or equivalent.
9. Hilti Kwik-Con + anchors as specified in NOA 21-0628.20.
10. Maximum shim thickness 1/4".
11. Products are not impact resistant and require an approved protection device if used in windborne debris regions.
12. Not for use in High Velocity Hurricane Zone (HVHZ).

## CONTENTS

Sheet 1/4	Elevation and Notes
Sheet 2/4	Fin Installations
Sheet 3/4	Strap Installations
Sheet 4/4	Strap Anchor Details

Tanya A. Dolby, P.E.  
 FL P.E. No. 93536  
 Intertek – ATI  
 130 Derry Ct. York, PA 17406  
 (717) 764-7700  
 Project: Q7587.01

Project Name: **K200 FIXED FL# 14300.1**

**INSTALLATION INSTRUCTIONS**

DESCRIPTION:

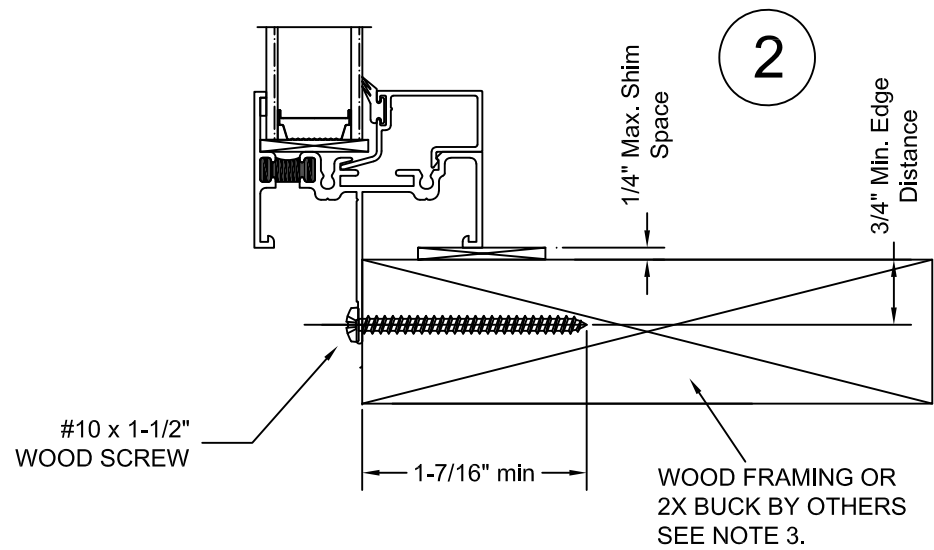
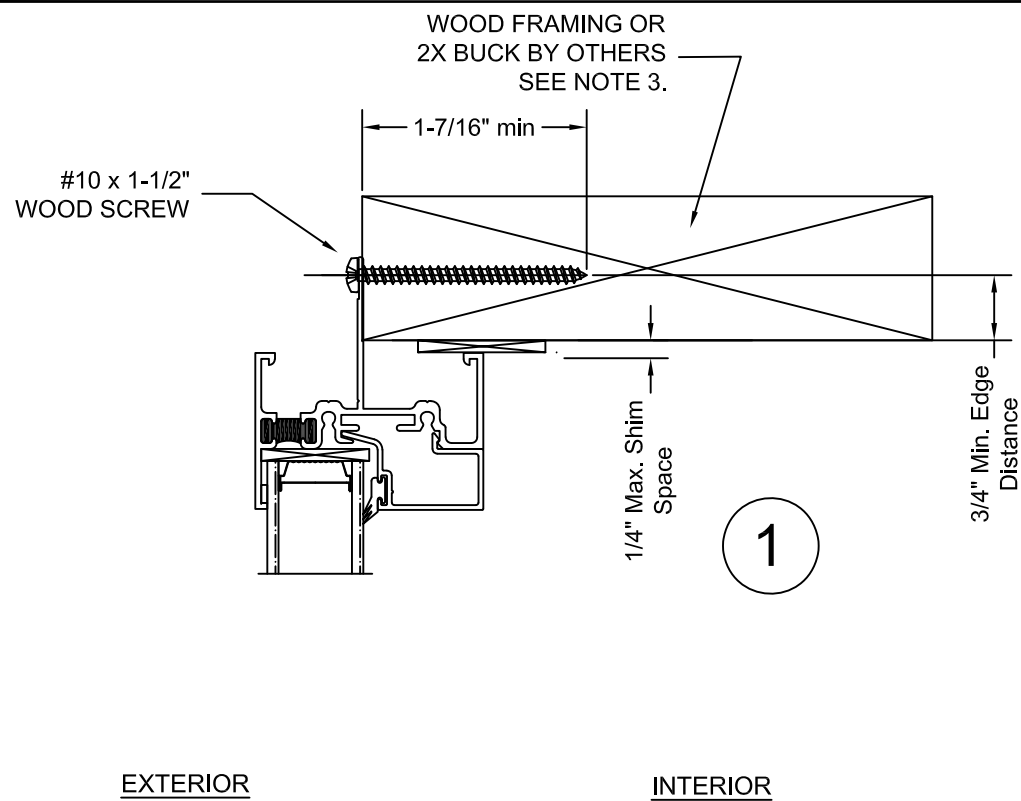
**ELEVATIONS AND NOTES**

QUAKER WINDOW PRODUCTS WILL NOT BE RESPONSIBLE FOR FIELD MEASUREMENT, QUANTITIES, & INSTALLATION DESIGN. CONTRACTOR MUST VERIFY ALL DIMENSIONS.

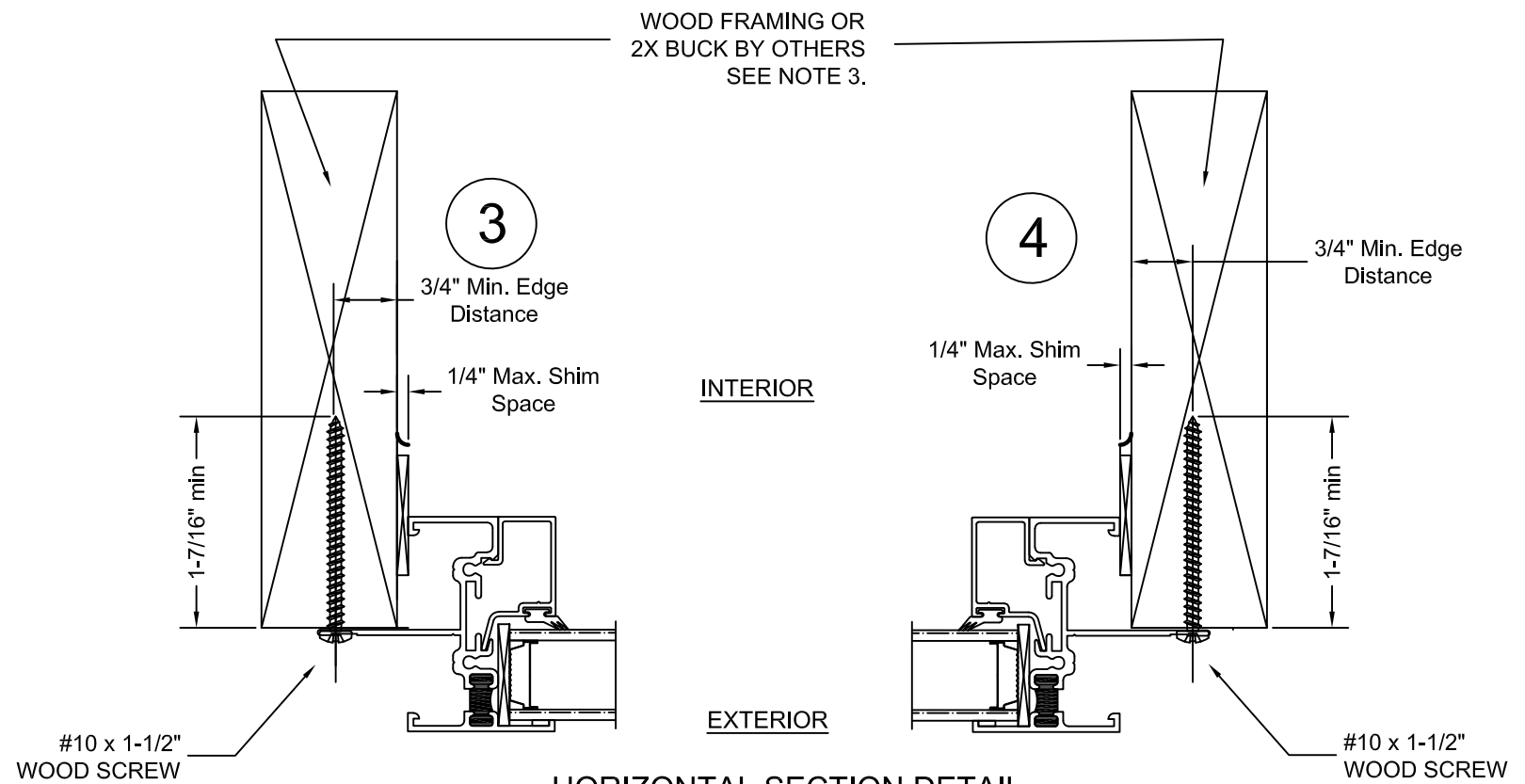
PHONE (573)-744-5211  
 FAX (573)-744-5586  
 COMMERCIAL  
 www.quakerwindows.com  
 Scale: NONE  
 Sheet #: 1 of 4

504 Highway 63 South  
 Freeburg, MO 65035  
 drafting@quakerwindows.com

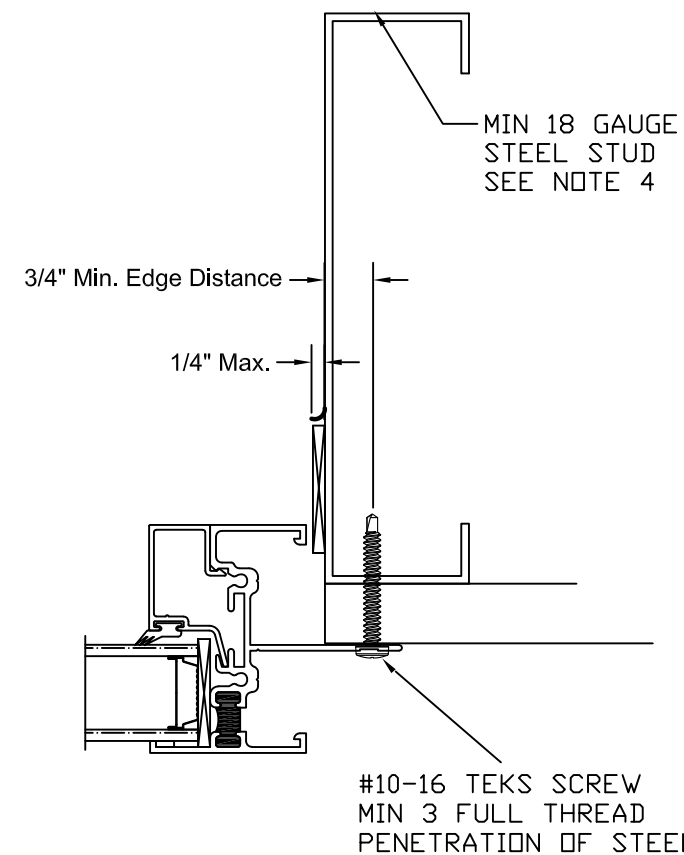
Drawn By: **BUD**  
 Date: **12-01-2023**



VERTICAL SECTION DETAIL  
WOOD FRAMING INSTALLATION



HORIZONTAL SECTION DETAIL  
WOOD FRAMING INSTALLATION



STEEL FRAMING INSTALLATION

Tanya A. Dolby, P.E.  
FL P.E. No. 93536  
Intertek - ATI  
130 Derry Ct. York, PA 17406  
(717) 764-7700  
Project: Q7587.01

Project Name:  
**K200 FIXED  
FL# 14300.1**  
**INSTALLATION INSTRUCTIONS**

Description:  
**FIN INSTALLATIONS**

QUAKER WINDOW PRODUCTS  
WILL NOT BE RESPONSIBLE  
FOR FIELD MEASUREMENT,  
QUANTITIES, & INSTALLATION  
DESIGN. CONTRACTOR MUST  
VERIFY ALL DIMENSIONS.

PHONE (573)-744-5211  
FAX (573)-744-5586

COMMERCIAL  
www.quakerwindows.com

FAX (573)-744-5822  
Scale: NONE

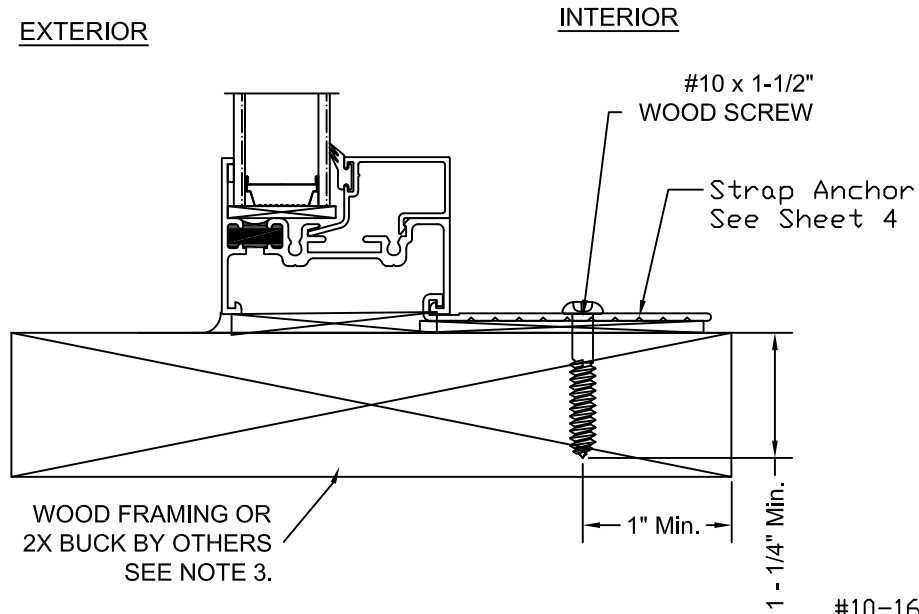
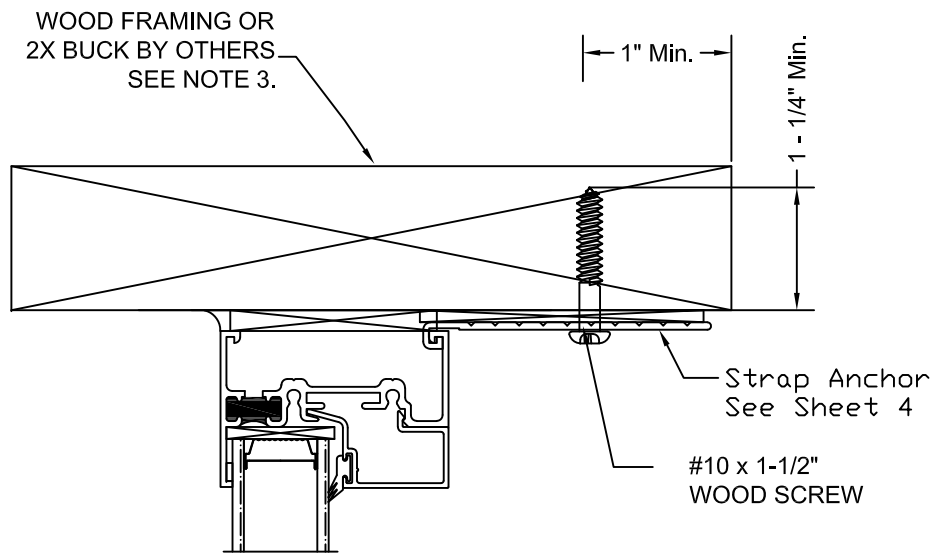
Sheet #: 2 of 4



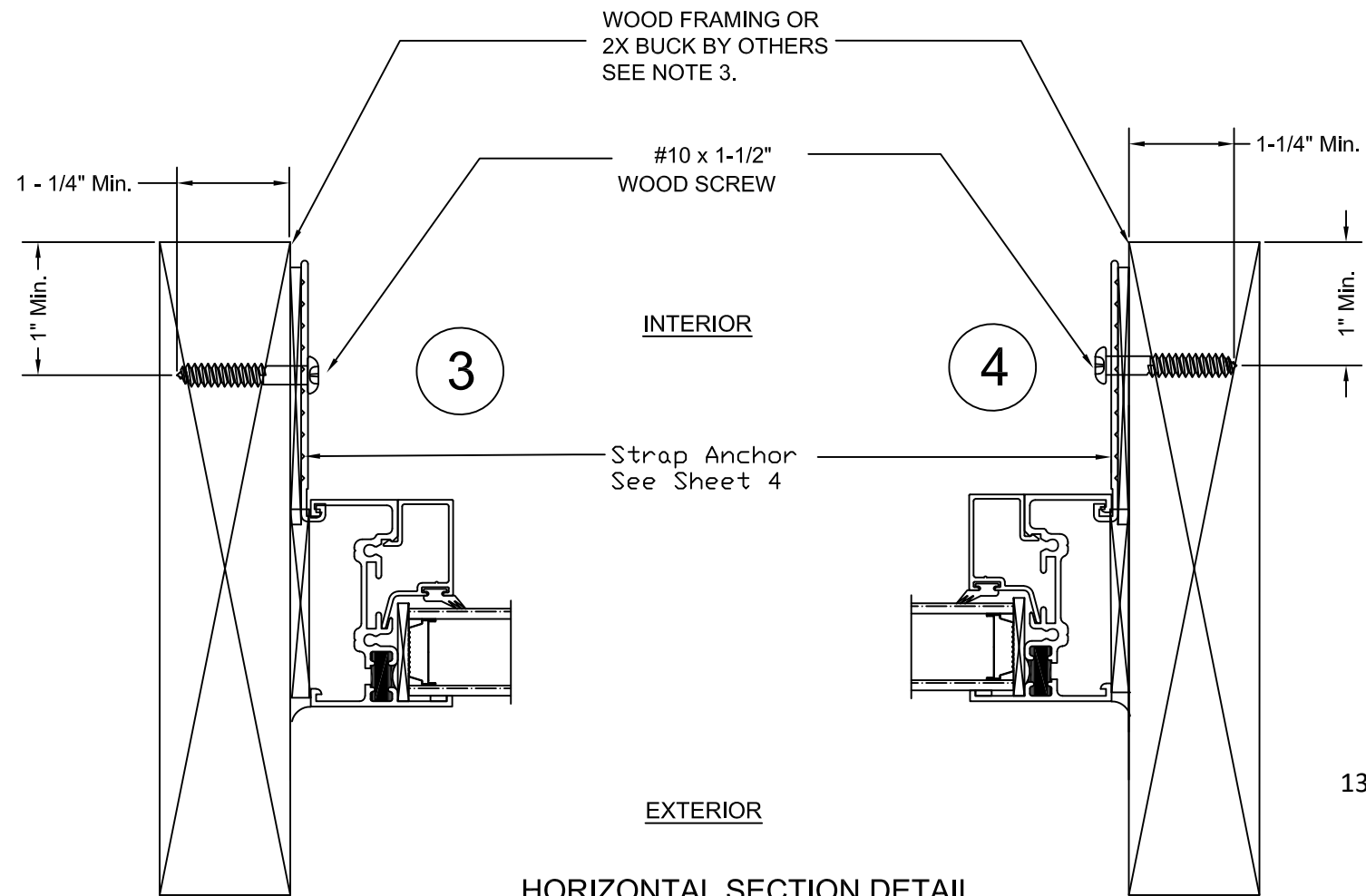
Drawn By: BUD

Date: 12-01-2023

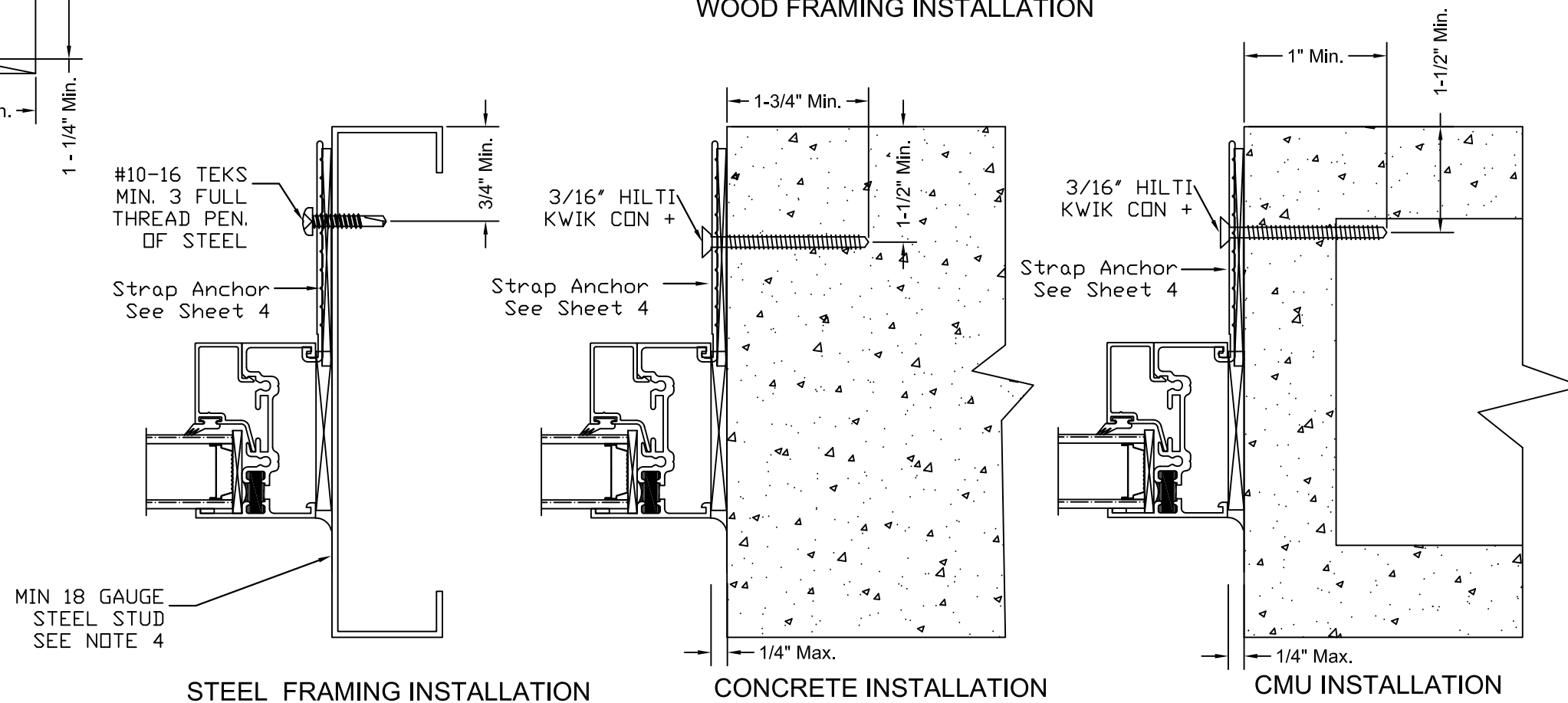
504 Highway 63 South  
Freeburg, MO 65035  
drafting@quakerwindows.com



**VERTICAL SECTION DETAIL  
WOOD FRAMING INSTALLATION**



**HORIZONTAL SECTION DETAIL  
WOOD FRAMING INSTALLATION**



**STEEL FRAMING INSTALLATION**

**CONCRETE INSTALLATION**

**CMU INSTALLATION**

Tanya A. Dolby, P.E.  
FL P.E. No. 93536  
Intertek – ATI  
130 Derry Ct. York, PA 17406  
(717) 764-7700  
Project: Q7587.01

Project Name:  
**K200 FIXED  
FL# 14300.1  
INSTALLATION INSTRUCTIONS**

Description:  
**STRAP INSTALLATIONS**

QUAKER WINDOW PRODUCTS  
WILL NOT BE RESPONSIBLE  
FOR FIELD MEASUREMENT,  
QUANTITIES, & INSTALLATION  
DESIGN. CONTRACTOR MUST  
VERIFY ALL DIMENSIONS.

PHONE (573)-744-5211  
FAX (573)-744-5586

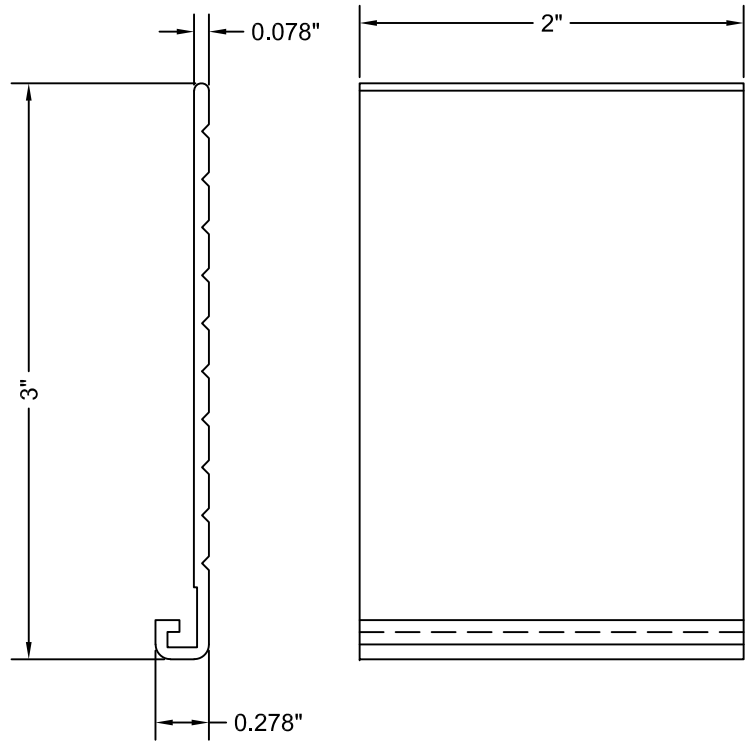
COMMERCIAL  
FAX (573)-744-5822  
www.quakerwindows.com

Scale: NONE  
Sheet #: 3 of 4




504 Highway 63 South  
Freeburg, MO 65035  
drafting@quakerwindows.com

Drawn By: BUD  
Date: 12-01-2023



Strap Anchor  
6063-T6 Aluminum  
Die QUA 19801

Tanya A. Dolby, P.E.  
FL P.E. No. 93536  
Intertek – ATI  
130 Derry Ct. York, PA 17406  
(717) 764-7700  
Project: Q7587.01

		PHONE (573)-744-5211 FAX (573)-744-5586 COMMERCIAL FAX (573)-744-5822 www.quakerwindows.com	504 Highway 63 South Freeburg, MO 65035 drafting@quakerwindows.com	Drawn By: BUD Date: 12-01-2023	Scale: NONE Sheet #: 4 of 4	Description: <b>STRAP ANCHOR DETAILS</b> QUAKER WINDOW PRODUCTS WILL NOT BE RESPONSIBLE FOR FIELD MEASUREMENT, QUANTITIES, & INSTALLATION DESIGN. CONTRACTOR MUST VERIFY ALL DIMENSIONS.	Project Name: <b>K200 FIXED          FL# 14300.1</b> <b>INSTALLATION INSTRUCTIONS</b>
---	--	---	--	-----------------------------------	--------------------------------	---	---